

**MARINE ENGINEERING**  
MARINE CONSULTING & MANUFACTURING



**GENERAL CATALOGUE**

# **CONTENTS**

## **I. THE COMPANY**

## **II. OUR MAIN PRODUCTS**

2.1. Propeller shaft

2.2 Bearings

2.3 Fixed pitch propeller

2.4. Crane / Davit for lifeboat, rescue boat

2.5. Anchor windlass

2.6. Mooring winch

2.7. Capstans

2.8. Rudder & Rudder system

2.9. Hydrophore tank unit

2.10. Steering gear for ship with 01, 02 rudders

2.11. External fire fighting pump

2.12. Mooring pipe/ Closed chocks

## **III. CERTIFICATES**

## **VI. SERICE CONTACT**

## I. THE COMPANY

### **VINMEX INVESTMENT JOINT STOCK COMPANY**

was established in 2013, located in Haiphong, Vietnam. With the factory located on 80.000 square meters, we maximizing our assets in all production processes. We also take advantage of the sea, airway, and experienced employees in management, business, and technology to specialize in manufacturing marine equipment and confidence to be the manufacturing factory of much large marine equipment all over the world. We supply all products which have been certificated by high qualification classification societies from the USA, Europe, Korea, Japan, and China such as DNV, NK, KR, RINA, ABS, BV, GL, LR, CCS, IRS, VR. We have been giving the best solutions to the customers.

With the slogan "**Marine Development- Our Future**", we are always attentive to listen and cooperate with all domestic and foreign business partners.



*Marine Development- Our Future*

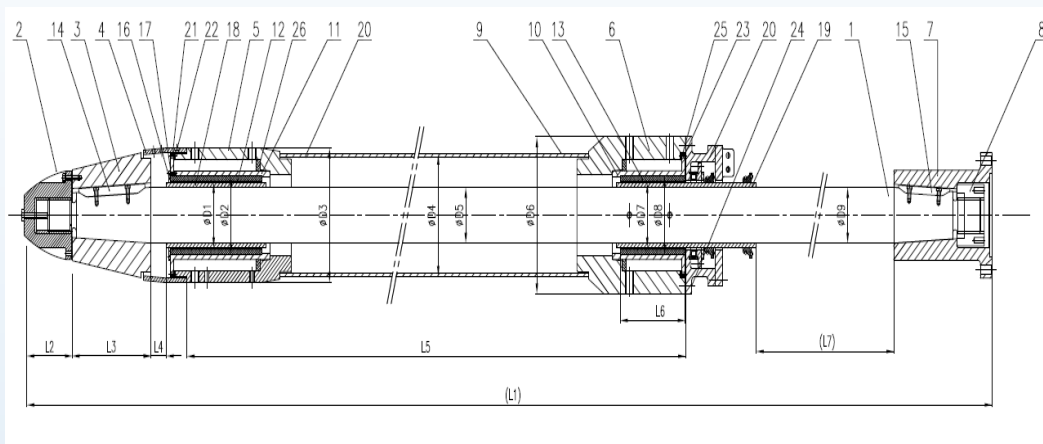
## II. OUR MAIN PRODUCTS

With high skill and very experienced workforce, Vinmex is one of the pioneer companies in manufacturing and supplying propeller shaft system for all kind of vessels, including the tanker, container carriers, passenger vessels, and freight vessels. Our products always ensure high quality with modern function. We always aim to gain the trust of our dear customer

### 2.1 Propeller shaft

\* Certificates: BV, LR, ABS, DNV- GL, VR, ...

#### Product Specification



No.	Model	Diameter	Material	Length	Remark
1	VM-DUL100	Below 100mm	Duplex 2205	Max. 6m	
2	VM-DUL50	100mm ~ 150mm	Duplex 2205	Max. 8m	
3	VM-DUL300	150mm ~ 250mm	Duplex 2205	Max. 12m	
4	VM-DUL500	250mm ~ 300mm	Duplex 2205	Max. 12m	
5	VM-DUL100	Above 350mm	Duplex 2205	Max. 12m	

Besides, we produce follow requirements and offer of customers

## II. OUR MAIN PRODUCTS

No.	Model	Diameter	Material	Length	Remark
1	VM-SF100	Below 100mm	SF45/50/55/60 (W)	Max. 6m	
2	VM-SF150	100mm ~ 150mm	SF45/50/55/60 (W)	Max. 8m	
3	VM-SF300	150mm ~ 250mm	SF45/50/55/60 (W)	Max. 12m	
4	VM-SF500	250mm ~ 300mm	SF45/50/55/60 (W)	Max. 12m	
5	VM-SS100	Above 350mm	SF45/50/55/60 (W)	Max. 12m	

Besides, we produce follow requirements and offer of customers



**II. OUR MAIN PRODUCTS**

No.	Model	Diameter	Material	Length	Remark
1	VM-SUS100	Below 100mm	SUS304/316/316L	Max. 6m	
2	VM-SUS150	100mm ~ 150mm	SUS304/316/316L	Max. 8m	
3	VM-SUS300	150mm ~ 250mm	SUS304/316/316L	Max. 12m	
4	VM-SUS500	250mm ~ 300mm	SUS304/316/316L	Max. 12m	
5	VM-SUS100	Above 350mm	SUS304/316/316L	Max. 12m	

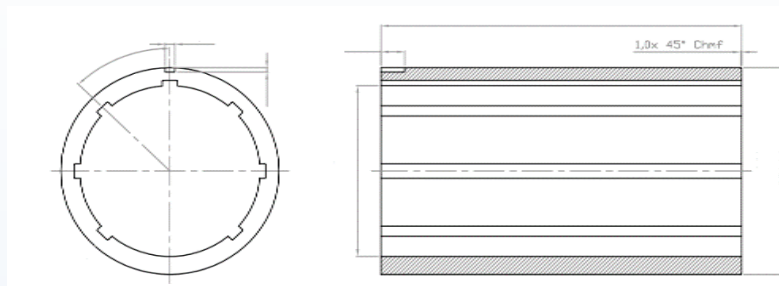
Besides, we produce follow requirements and offer of customers



## II. OUR MAIN PRODUCTS

### 2.2 Bearing

Vinmex supplies marine bearings for use with all vessel's marine engineering systems. We supply all bearings as ACM L2 Marine, Thordon, Orkort, Ferroform, Rubber cutlass bearing.



#### Product Specification

No.	Bearing Type	Material	OD ( mm)	ID (mm)	Length (mm)	Remark
1	ACM	Composites	Minimum 12mm	Maximum 2000 mm	450 ~ 950	
2	Orkort	TLMM, TXMM	118 ~ 520	66.7 ~ 403	500 ~ 700	
3	Thordon	SXL, Composite (GM2401), XL, ThorPlas- Blue, ThorPlas- White, PT80, Compac, HPSXL, HPSXL TRAXL	250 ~ 530	115 ~ 410	500 ~ 700	
4	Feroform	T11, T12, T14, T127, T814, PR18	100 ~ 450	72 ~ 320	600 ~ 1200	
5	Rubber Cutlass Bearing	Brass, Composite	87.73 ~ 450.85	83 ~ 420	254 ~ 550	

Besides, we supply follow requirements and offer of customers



## II. OUR MAIN PRODUCTS

### 2.3 Fixed pitch propeller

#### 2.3.1. 03 Blades- fixed pitch

Vinmex can supply the propeller kind of 02, 03, 04, 05, 06, 07 blades- fixed pitch.

No.	Model	Diameter	Material	Remark
1	VM-FPP 250-3	Below 250 mm	HBsC1/AIBC3	
2	VM-FPP1.0-3	From 0.5m to 1.0m	HBsC1/AIBC3	
3	VM-FPP1.5-3	From 1.0m to 1.5m	HBsC1/AIBC3	
4	VM-FPP2.0-3	From 1.5m to 2.0m	HBsC1/AIBC3	
5	VM-FPP2.5-3	From 2.0m to 2.5m	HBsC1/AIBC3	
6	VM-FPP3.0-3	From 2.5m onward	HBsC1/AIBC3	



#### 2.3.2. 04 Blades- fixed pitch

No.	Model	Diameter	Material	Remark
1	VM-FPP0.5-4	Below 0.5m	HBsC1/AIBC3	
2	VM-FPP1.0-4	From 0.5m to 1.0m	HBsC1/AIBC3	
3	VM-FPP1.5-4	From 1.0m to 1.5m	HBsC1/AIBC3	
4	VM-FPP2.0-4	From 1.5m to 2.0m	HBsC1/AIBC3	
5	VM-FPP2.5-4	From 2.0m to 2.5m	HBsC1/AIBC3	
6	VM-FPP3.0-4	From 2.5m onward	HBsC1/AIBC3	





## II. OUR MAIN PRODUCTS

### 2.3.3. 05 Blades – Fixed Pitch

No.	Model	Diameter	Material	Remark
1	VM-FPP0.5-5	Below 0.5m	HBsC1/AIBC3	
2	VM-FPP1.0-5	From 0.5m to 1.0m	HBsC1/AIBC3	
3	VM-FPP1.5-5	From 1.0m to 1.5m	HBsC1/AIBC3	
4	VM-FPP2.0-5	From 1.5m to 2.0m	HBsC1/AIBC3	
5	VM-FPP2.5-5	From 2.0m to 2.5m	HBsC1/AIBC3	
6	VM-FPP3.0-5	From 2.5m onward	HBsC1/AIBC3	



### 2.3.6. 06 Blades- fixed pitch

No.	Model	Diameter	Material	Remark
1	VM-FPP0.5-6	Below 0.5m	HBsC1/AIBC3	
2	VM-FPP1.0-6	From 0.5m to 1.0m	HBsC1/AIBC3	
3	VM-FPP1.5-6	From 1.0m to 1.5m	HBsC1/AIBC3	
4	VM-FPP2.0-6	From 1.5m to 2.0m	HBsC1/AIBC3	
5	VM-FPP2.5-6	From 2.0m to 2.5m	HBsC1/AIBC3	
6	VM-FPP3.0-6	From 2.5m onward	HBsC1/AIBC3	

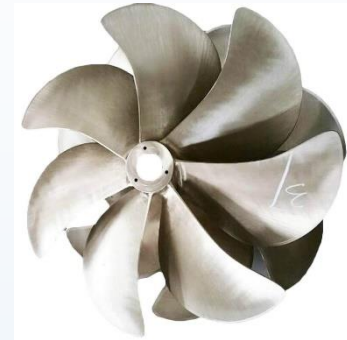


Besides, we supply follow requirements and offer of customers

## II. OUR MAIN PRODUCTS

### 2.3.7. 07 Blades – Fixed Pitch

No.	Model	Diameter	Material	Remark
1	VM-FPP0.5-7	Below 0.5m	HBsC1/AIBC3	
2	VM-FPP1.0-7	From 0.5m to 1.0m	HBsC1/AIBC3	
3	VM-FPP1.5-7	From 1.0m to 1.5m	HBsC1/AIBC3	
4	VM-FPP2.0-7	From 1.5m to 2.0m	HBsC1/AIBC3	
5	VM-FPP2.5-7	From 2.0m to 2.5m	HBsC1/AIBC3	
6	VM-FPP3.0-7	From 2.5m onward	HBsC1/AIBC3	



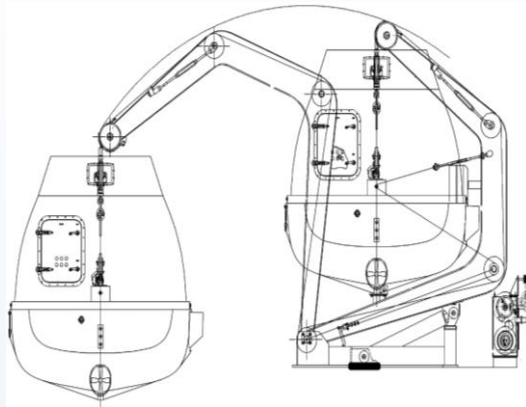
Besides, we supply follow requirements and offer of customers

## II. OUR MAIN PRODUCTS

### 2.4. Crane / Davit for lifeboat, rescue boat

All cranes, davit of lifesaving equipment are being produced solely by Vinmex JSC / Vietnam. We have become one of the major manufacturer for provision crane and davit for almost life-saving equipment in Vietnam market & foreign market.

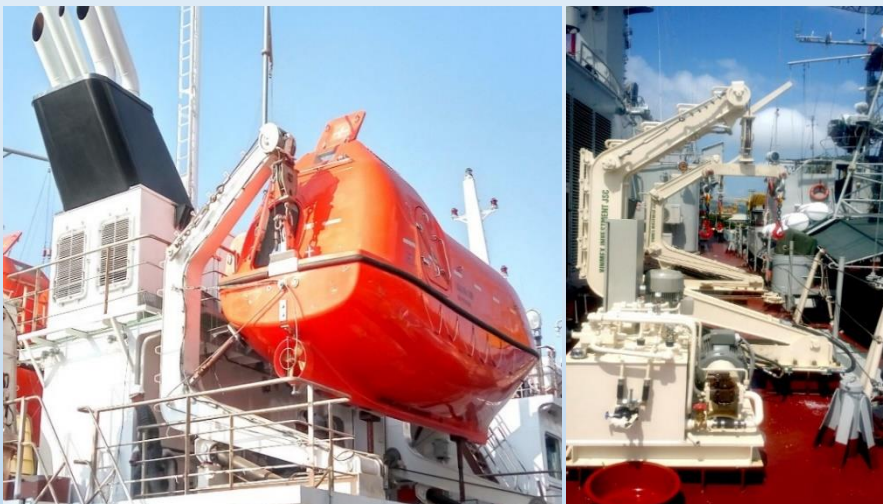
#### 2.4.1. Hydraulic Gravity davit



#### Product specification

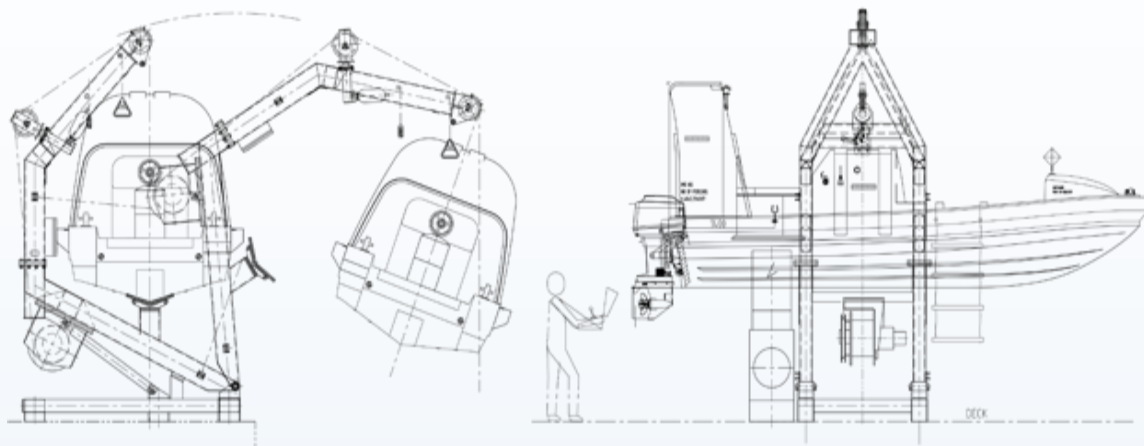
No.	Model	Max Working Load	Max Recovering Load	Min Lowering Load	Winch	Remark
1	VMG01	85KN	45KN	30KN	Hydraulic	
2	VMG02	120KN	65KN	35KN	Hydraulic	
3	VMG03	170KN	70KN	40KN	Hydraulic	

Besides, we produce follow requirements and offer of customers



## II. OUR MAIN PRODUCTS

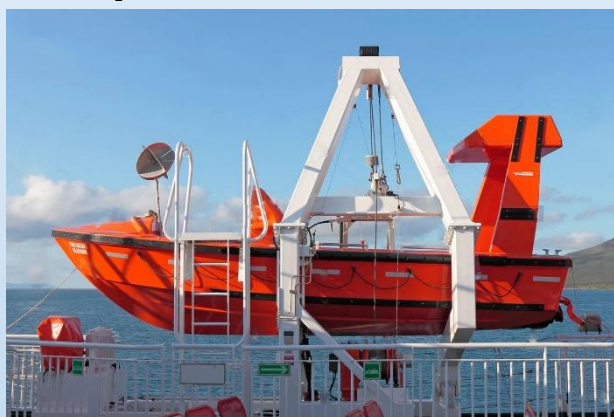
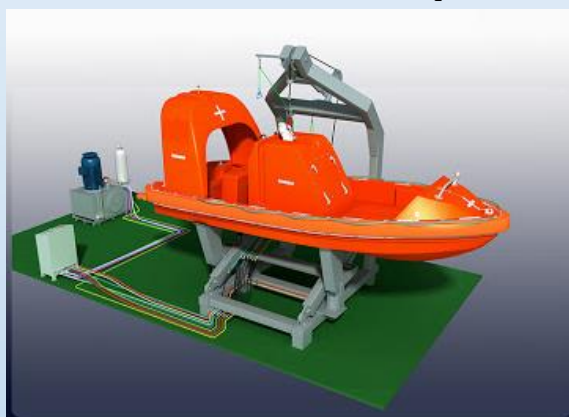
### 2.4.2. A- Frame Davit



#### Product specification

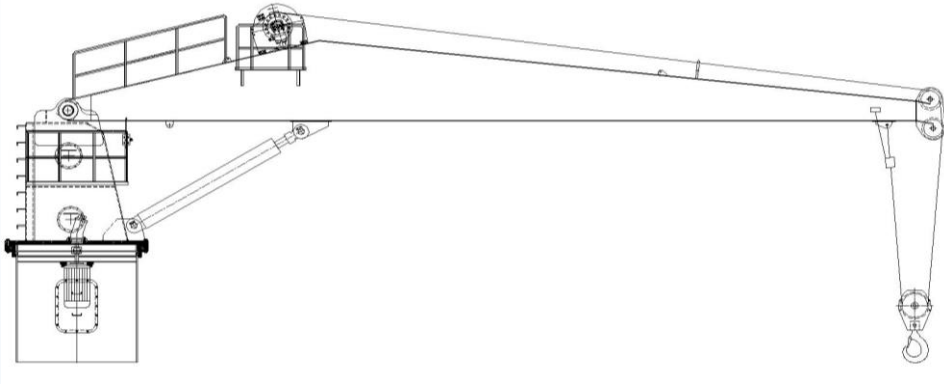
No.	Model	S.W.L	Hoisting Load	Hoisting Speed	Lowering Speed	Notes	Remark
1	VM30	30KN	30KN	≥48M/MIN	48-60M/MIN	With constant tension Anti pendulum system	
2	VMA30	30KN	30KN	≥18M/MIN	40-60M/MIN	Electric winch	
3	VMA60	60KN	60KN	≥18M/MIN	40-60M/MIN	Electric winch	

Besides, we produce follow requirements and offer of customers



## II. OUR MAIN PRODUCTS

### 2.4.3. Provision crane



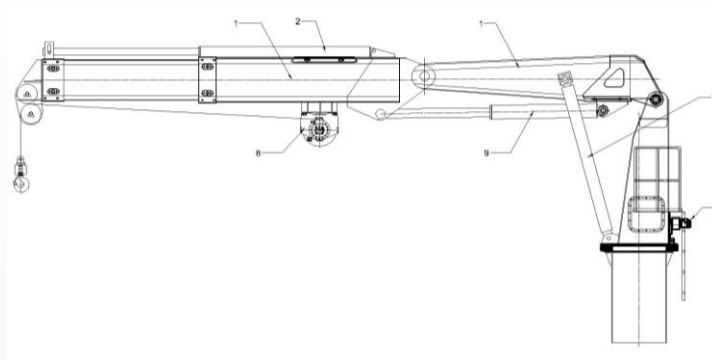
#### Product specification

No.	Model	Max Hoisting Load	Slewing Radius	Max Slewing Angle	Hoisting Speed	Slewing Speed	Remark
1	VM1T	1T	2.5-12M	≤330	≤12M/MIN	0.25R/MIN	
2	VM1.5T	1.5T	2.5-12M	≤330	≤12M/MIN	0.25R/MIN	
3	VM2T	2T	2.5-12M	≤330	≤12M/MIN	0.25R/MIN	
4	VM2.5T	2.5T	2.5-12M	≤330	≤12M/MIN	0.25R/MIN	
5	VM3T	3T	2.5-12M	≤330	≤12M/MIN	0.5R/MIN	
6	VM3.5T	3.5T	2.5-12M	≤330	≤12M/MIN	0.25R/MIN	
7	VM4T	4T	2.5-12M	≤330	≤12M/MIN	0.5R/MIN	
8	VM4.5T	4.5T	2.5-12M	≤330	≤12M/MIN	0.25R/MIN	
9	VM5T	5T	2.5-12M	≤330	≤10M/MIN	0.25R/MIN	

Besides, we produce follow requirements and offer of customers

## II. OUR MAIN PRODUCTS

### 2.4.4. Knuckle boom crane



#### Product specification

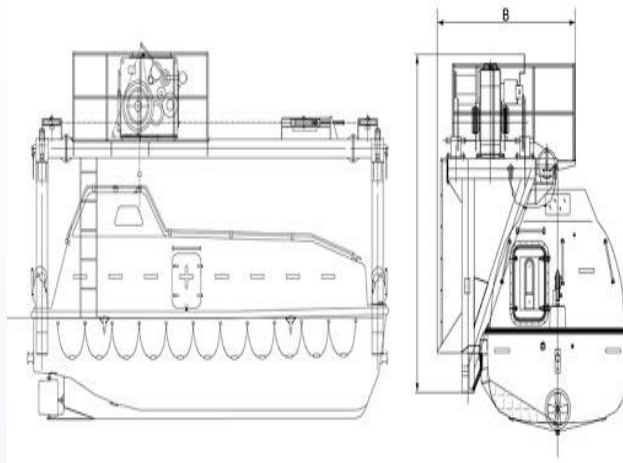
No.	Model	SWL (ton)	Power Source	Remark
1	VMKBC1	0.6	380V- 50Hz	
2	VMKBC2	1.5	380V- 50Hz	
3	VMKBC3	2	380V- 50Hz	
4	VMKBC4	5	380V- 50Hz	
5	VMKBC5	7	380V- 50Hz	
6	VMKBC6	10	380V- 50Hz	
7	VMKBC7	12	380V- 50Hz	
8	VMKBC8	15	380V- 50Hz	

Besides, we produce follow requirements and offer of customers



## II. OUR MAIN PRODUCTS

### 2.4.5. Platform Davit



#### Product specification

No.	Model	Working Load (KN)	Max Width (mm)	Max Length (mm)	Remark
1	VMP01	50	2400	4100	
2	VMP02	85	2500	4100	
3	VMP03	120	2600	4100	
4	VMP04	150	2780	4300	
5	VMP05	170	3000	4500	
6	VMP06	210	3000	4800	

Besides, we produce follow requirements and offer of customers

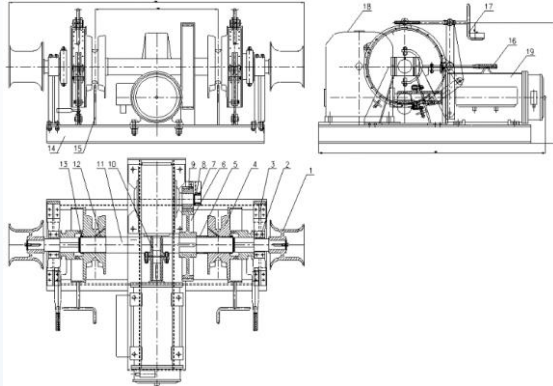


## II. OUR MAIN PRODUCTS

### 2.5. Anchor Windlass

Vinmex JSC is also specialize in manufacturing anchor winches. Our products always gain trust with our customer with compact design, easy to maintenance and high quality.

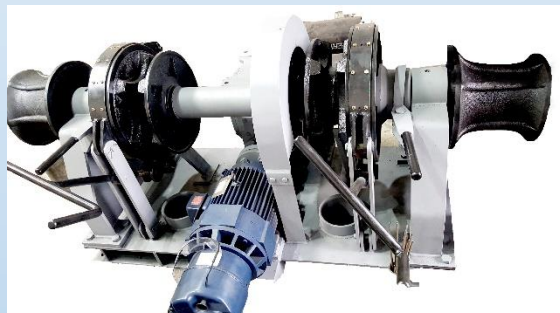
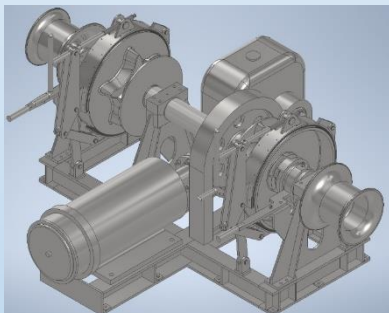
#### 2.5.1 Electric Anchor windlass



#### Product specification

No.	Model Electric	Chain Diameter (mm)	Power source	Power source	Remark
1	VME-17WL	17.5	3P, 380, 50Hz	3P, 440V, 60Hz	
2	VME-19WL	19	3P, 380, 50Hz	3P, 440V, 60Hz	
3	VME-20WL	20.5	3P, 380, 50Hz	3P, 440V, 60Hz	
4	VME-22WL	22	3P, 380, 50Hz	3P, 440V, 60Hz	
5	VME-24WL	24	3P, 380, 50Hz	3P, 440V, 60Hz	
6	VME-26WL	26	3P, 380, 50Hz	3P, 440V, 60Hz	
7	VME-28WL	28	3P, 380, 50Hz	3P, 440V, 60Hz	
8	VME-30WL	30	3P, 380, 50Hz	3P, 440V, 60Hz	
9	VME-32WL	32	3P, 380, 50Hz	3P, 440V, 60Hz	
10	VME-34WL	34	3P, 380, 50Hz	3P, 440V, 60Hz	
11	VME-36WL	36	3P, 380, 50Hz	3P, 440V, 60Hz	
12	VME-38WL	38	3P, 380, 50Hz	3P, 440V, 60Hz	

Besides, we produce follow requirements and offer of customers





## II. OUR MAIN PRODUCTS

### 2.5.2. Anchor windlass Hydraulic

#### Product specification

No.	Model Hydraulic	Chain Diameter (mm)	Power source	Power source	Remark
1	VMH-17WL	17.5	3P, 380, 50Hz	3P, 440V, 60Hz	
2	VMH-19WL	19	3P, 380, 50Hz	3P, 440V, 60Hz	
3	VMH-20WL	20.5	3P, 380, 50Hz	3P, 440V, 60Hz	
4	VMH-22WL	22	3P, 380, 50Hz	3P, 440V, 60Hz	
5	VMH-24WL	24	3P, 380, 50Hz	3P, 440V, 60Hz	
6	VMH-26WL	26	3P, 380, 50Hz	3P, 440V, 60Hz	
7	VMH-28WL	28	3P, 380, 50Hz	3P, 440V, 60Hz	
8	VMH-30WL	30	3P, 380, 50Hz	3P, 440V, 60Hz	
9	VMH-32WL	32	3P, 380, 50Hz	3P, 440V, 60Hz	
10	VMH-34WL	34	3P, 380, 50Hz	3P, 440V, 60Hz	
11	VMH-36WL	36	3P, 380, 50Hz	3P, 440V, 60Hz	
12	VMH-38WL	38	3P, 380, 50Hz	3P, 440V, 60Hz	

Besides, we produce follow requirements and offer of customers

#### \* Standard features

- Heavy duty worm gearbox or planetary/ worm gear combination.
- IP56 TENV cast iron.
- Free-fall clutch.
- Band brake.
- Suitable for various chain sizes.

#### \* Available option

- Alternative supply voltages.
- Full manual control by hand wheel.
- Horizontal warping head configuration.
- Remotely controlled band brake.
- Special marine/offshore coating system.

#### \* Available control options

- IP 66 control box with IP 65 pendant remote control or push-buttons built
- Proportional local or remote-control valve

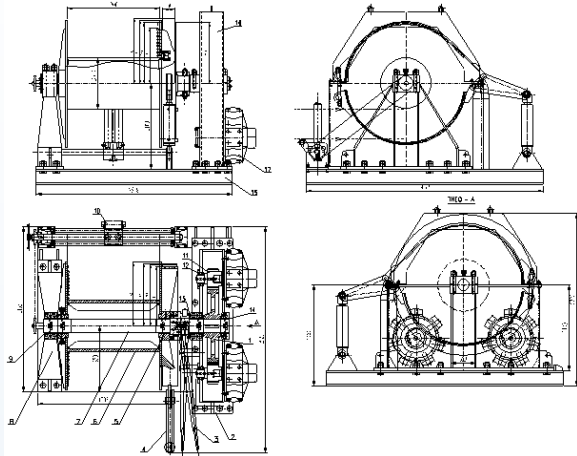


## II. OUR MAIN PRODUCTS

### 2.6. Mooring winch

#### 2.6.1 Mooring winch hydraulic

##### Product specification

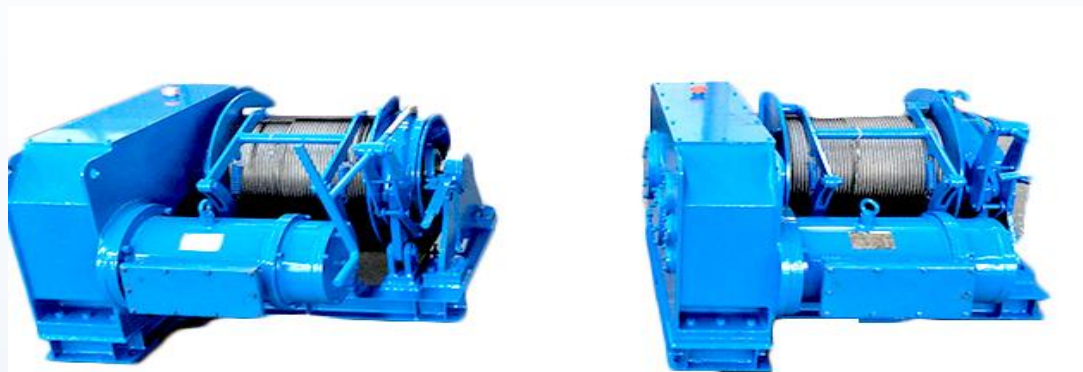


No.	Model Hydraulic	Rated Load x Rated Speed (ton x m/min)	Rope size (fmmxm)	Remark
1	VME-3MW	3.0 x 15	35 ~ 40 x 180	
2	VME-4MW	4.0 x 15	40 ~ 45 x 180	
3	VME-5MW	5.0 x 15	50 ~ 55 x 200	
4	VME-6MW	6.0 x 15	55 ~ 60 x 200	
5	VME-7MW	7.0 x 15	60 ~ 65 x 200	
6	VME-8MW	8.0 x 15	65 ~ 70 x 200	
7	VME-9MW	9.0 x 15	65 ~ 70 x 220	
8	VME-10MW	10 x 15	65 ~ 70 x 220	
9	VME-12MW	12 x 15	70 ~ 75 x 220	
10	VME-15MW	15 x 15	75 x 220	
11	VME-20MW	20 x 15	75 x 220	

Besides, we produce follow requirements and offer of customers

## II. OUR MAIN PRODUCTS

### 2.6.2 Electric Mooring winch Product specification



No.	Model Electric	Rated Load x Rated Speed (ton x m/min)	Rope size (fmmxm)	Remark
1	VME-3MW	3.0 x 15	35 ~ 40 x 180	
2	VME-4MW	4.0 x 15	40 ~ 45 x 180	
3	VME-5MW	5.0 x 15	50 ~ 55 x 200	
4	VME-6MW	6.0 x 15	55 ~ 60 x 200	
5	VME-7MW	7.0 x 15	60 ~ 65 x 200	
6	VME-8MW	8.0 x 15	65 ~ 70 x 200	
7	VME-9MW	9.0 x 15	65 ~ 70 x 220	
8	VME-10MW	10 x 15	65 ~ 70 x 220	
9	VME-12MW	12 x 15	70 ~ 75 x 220	
10	VME-15MW	15 x 15	75 x 220	
11	VME-20MW	20 x 15	75 x 220	

Besides, we produce follow requirements and offer of customers

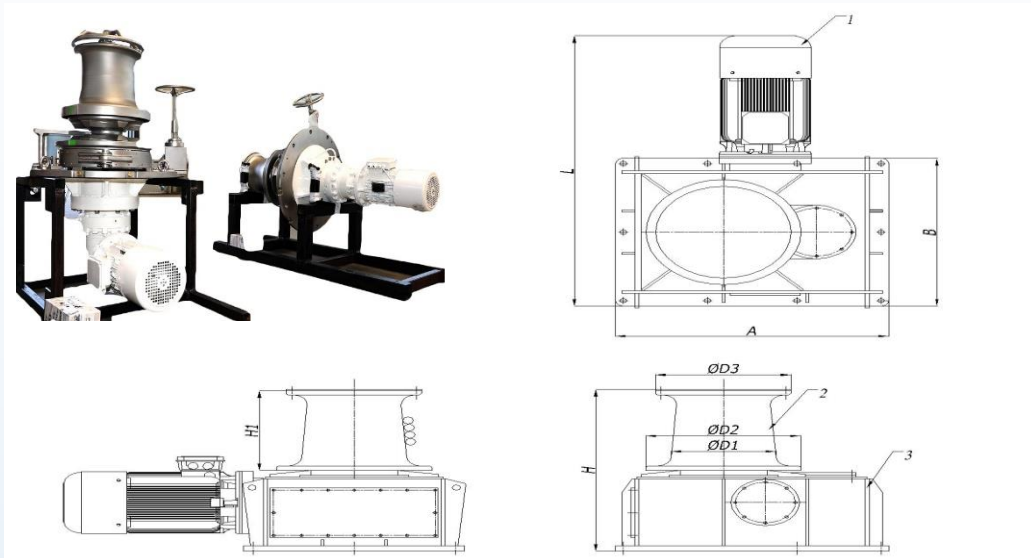
## II. OUR MAIN PRODUCTS

### 2.7. Capstans

Capstans with pull from 1 to 20 tons.

Engine on or under deck.

ON REQUEST RENTAL CAPSTANS



No.	Model	Rated Load (TON )	Rated Speed (M/MIN)	Rope Size (ØMM X X)	Remark
1	VMCT1	2.0	15	35 x 160	
2	VMCT2	3.0	15	35 ~ 40 x 180	
3	VMCT3	4.0	15	40 ~ 45 x 180	
4	VMCT4	5.0	15	50 ~ 55 x 200	
5	VMCT5	6.0	15	55 ~ 60 x 200	
6	VMCT6	7.0	15	60 ~ 65 x 200	
7	VMCT7	8.0	15	65 ~ 70 x 200	
8	VMCT8	9.0	15	65 ~ 70 x 200	
9	VMCT9	10.0	15	65 ~ 70 x 220	
10	VMCT10	12.0	15	70 ~ 75 x 220	
11	VMCT11	15.0	15	75 x 220	
12	VMCT12	20.0	15	75 x 220	

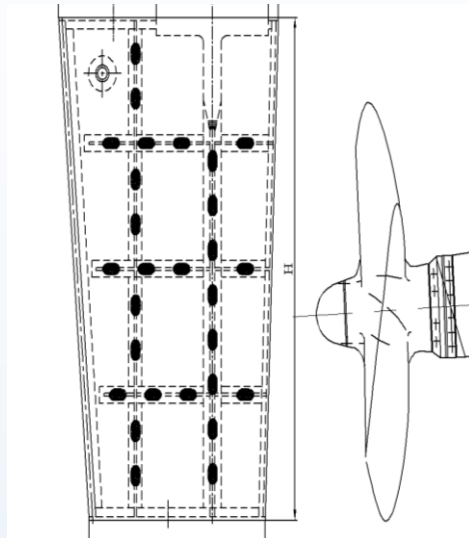
Besides, we produce follow requirements and offer of customers

## II. OUR MAIN PRODUCTS

### 2.8. Rudder & Rudder system

#### 2.8.1 Rudder

Vinmex JSC offer to process all kind of rudder system for ship with different requirements and order of customer



#### Product specification

No.	Material	Length (mm)	Width (mm)	Remark
1	SUS 304	700 ~ 3750	500 ~ 2700	
2	SUS 316	700 ~ 3750	500 ~ 2700	
3	Duplex	700 ~ 3750	500 ~ 2700	
4	Grade A	700 ~ 3750	500 ~ 2700	

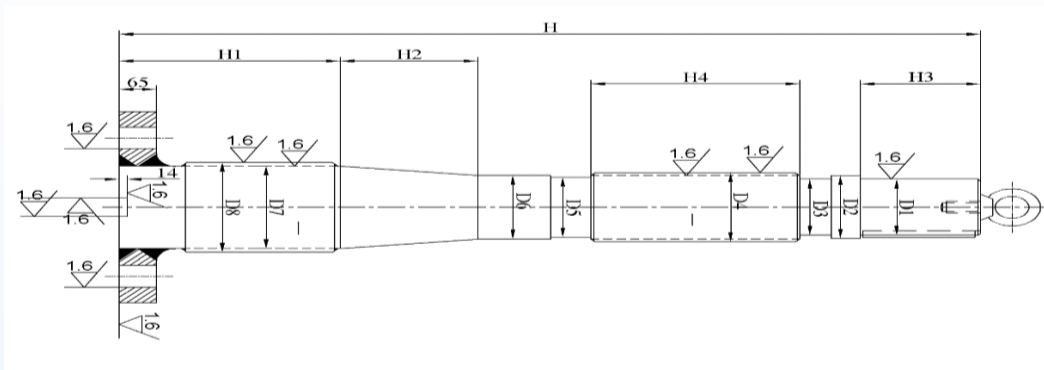
Besides, we produce follow requirements and offer of customers



## II. OUR MAIN PRODUCTS

### 2.8.2 Rudder stock

Vinmex JSC offer to process all kind of rudder stock for ship with different requirements and order of customer



### Product specification

No.	Material	Length (mm)	Diameter (mm)	Remark
1	SUS 304	1000 ~ 4000	50 ~ 350	
2	SUS 316	1000 ~ 4000	50 ~ 350	
3	Duplex 2205	1000 ~ 4000	50 ~ 350	
4	SF45/50/55/60	1000 ~ 4000	50 ~ 350	

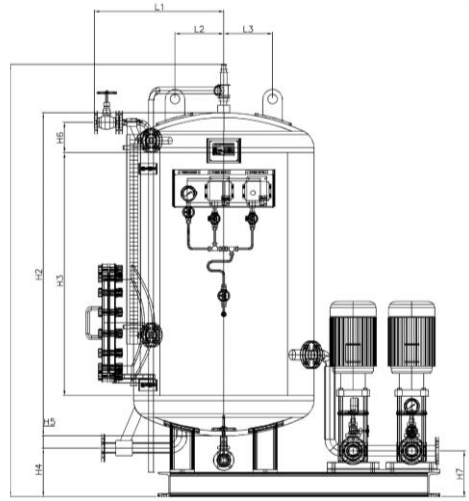
Besides, we produce follow requirements and offer of customers



## II. OUR MAIN PRODUCTS

### 2.9. Hydrophore tank unit

- Use for fresh water, sea water.
- Material: stainless steel



#### Product specification

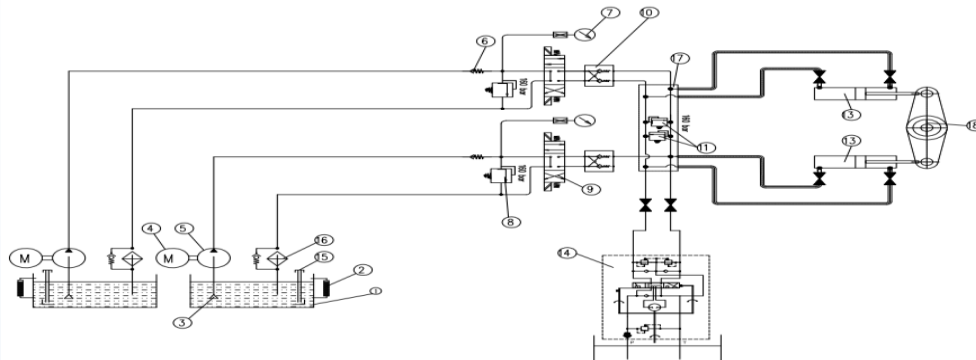
Model		VM-HT-0.2	VM-HT-0.3	VM-HT-0.5	VM-HT-1	VM-HT-1.5	VM-HT-2	VM-HT-2.5	VM-HT-3
Volume (m <sup>3</sup> )		0.2	0.3	0.5	1.0	1.5	2.0	2.5	3
Working pres. (Mpa)		0.4							
Design pres. (Mpa)		0.44							
Test pres. (Mpa)		0.66							
Take off pressure of safety valve (Mpa)		0.42							
Working temp. (°C)		0 ~ 45							
Design temp. (°C)		50							
Water pump	Flow rate (m <sup>3</sup> /h)	3	6.5	10	10				
	Pump head (m)	40	40	40	40				
	Power (kW)	2.2	3	4	4				

Besides, we produce follow requirements and offer of customers

## II. OUR MAIN PRODUCTS

### 2.10. Steering gear for ship with 01 rudders, 02 rudders

#### 2.10.1 Steering gear for ship with 01 rudders



#### Product specification

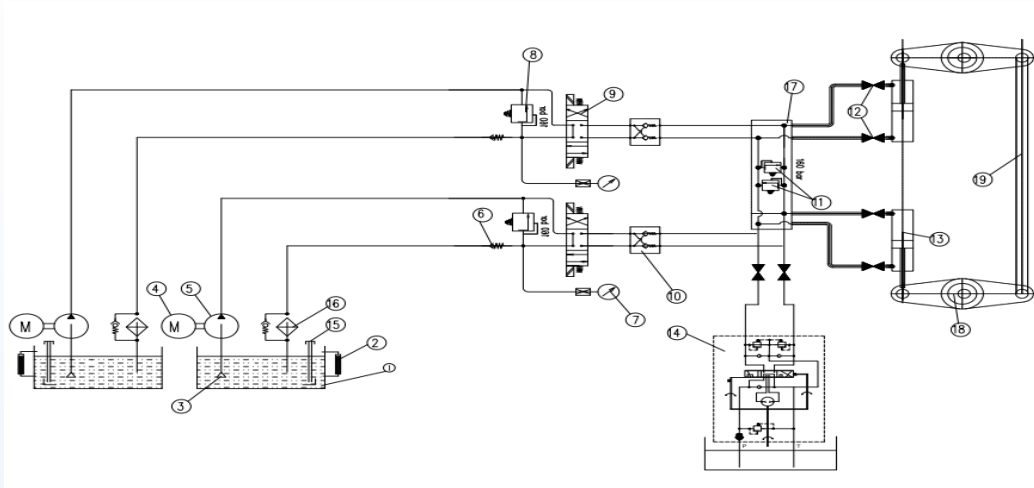
No.	Model	Driving torque (T.m)	Power source	Power source	Remark
1	VM/SG 05	0.5	380V-50Hz	440V-60Hz	
2	VM/SG 10	1	380V-50Hz	440V-60Hz	
3	VM/SG 15	1.5	380V-50Hz	440V-60Hz	
4	VM/SG20	2	380V-50Hz	440V-60Hz	
5	VM/SG25	2.5	380V-50Hz	440V-60Hz	
6	VM/SG30	3	380V-50Hz	440V-60Hz	
7	VM/SG50	5	380V-50Hz	440V-60Hz	
8	VM/SG80	8	380V-50Hz	440V-60Hz	
9	VM/SG100	10	380V-50Hz	440V-60Hz	

Besides, we produce follow requirements and offer of customers



## II. OUR MAIN PRODUCTS

### 2.10.2 Steering gear for ship with 02 rudders



#### Product specification

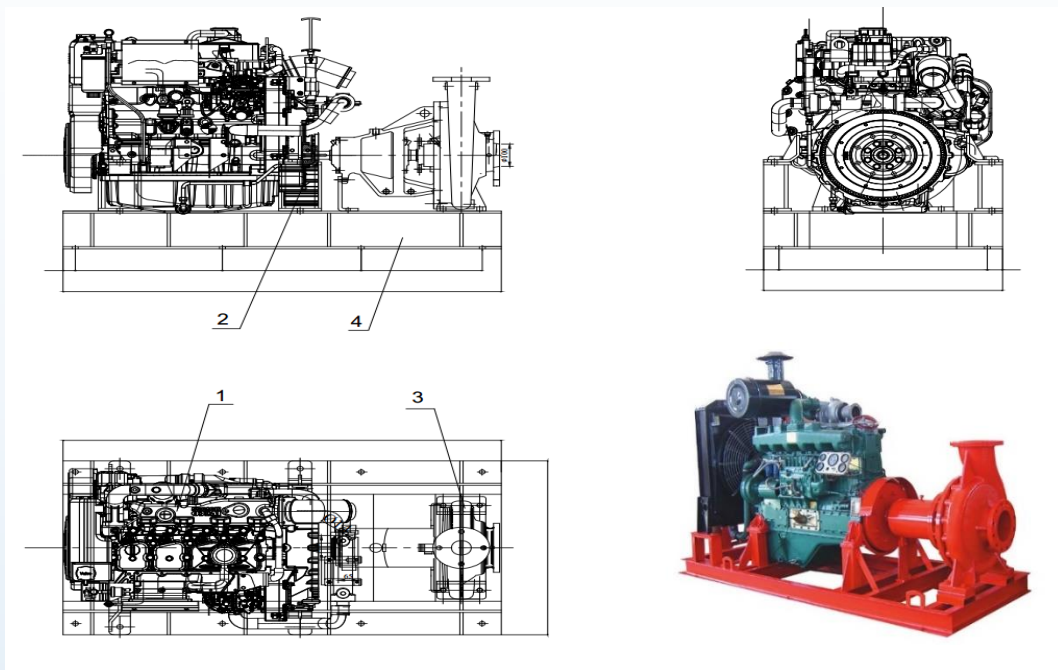
No.	Model	Driving torque (T.m)	Power source	Power source	Remark
1	VM/SG1	0.5	380V-50Hz	440V-60Hz	
2	VM/SG2	1	380V-50Hz	440V-60Hz	
3	VM/SG3	1.5	380V-50Hz	440V-60Hz	
4	VM/SG4	2	380V-50Hz	440V-60Hz	
5	VM/SG5	2.5	380V-50Hz	440V-60Hz	
6	VM/SG6	3	380V-50Hz	440V-60Hz	
7	VM/SG7	5	380V-50Hz	440V-60Hz	
8	VM/SG8	8	380V-50Hz	440V-60Hz	
9	VM/SG9	10	380V-50Hz	440V-60Hz	

Besides, we produce follow requirements and offer of customers

## II. OUR MAIN PRODUCTS

### 2.11 External fire fitting pump

Vinmex will design your system according your actual requirement. We will work closely to the ship designer and end-user. You'll get the best possible performing systems within budget and physical limits.



#### Product specification

No.	Model	Capacity of water (m3/h)	Power source	Pressure head ( bar )	Remark
1	VM-FiFi100	100 m3/h	220V x 50Hz	9 ~ 12 bar	
2	VM-FiFi150	150 m3/h	220V x 50Hz	10 ~ 12 bar	
3	VM-FiFi200	200 m3/h	220V x 50Hz	10 ~ 12 bar	
4	VM-FiFi300	300 m3/h	220V x 50Hz	10 ~ 15 bar	
5	VM-FiFi400	400 m3/h	220V x 50Hz	10 ~ 15 bar	
6	VM-FiFi500	500 m3/h	220V x 50Hz	10 ~ 15 bar	

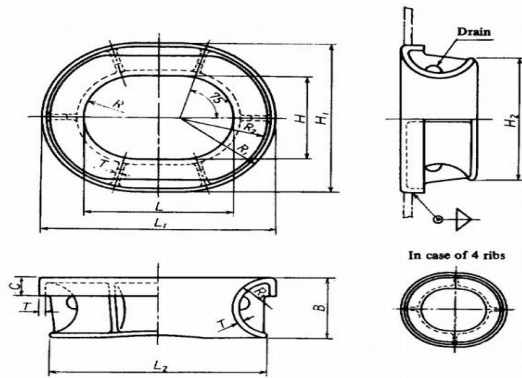
Besides, we produce follow requirements and offer of customers

## II. OUR MAIN PRODUCTS

### 2.12. Mooring pipe/ Closed chocks

#### 2.12.1 Mooring pipe

Vinmex manufactures mooring pipe according to JIS standard



#### Product specification

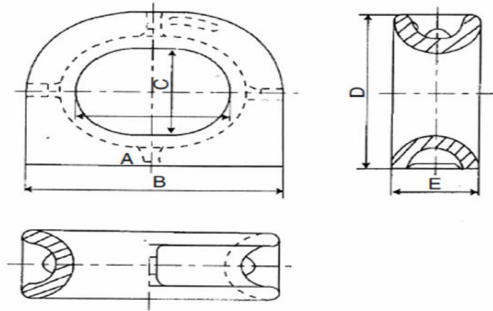
No.	Nominal dimension (mm)	Calculated mass (kg)	Standard/ Material	Remark
1	150 mm	15.1	JIS G 5101- SC 42	
2	200 mm	20.5	JIS G 5101- SC 42	
3	250 mm	26.9	JIS G 5101- SC 42	
4	300 mm	42.7	JIS G 5101- SC 42	
5	350 mm	50.8	JIS G 5101- SC 42	
6	400 mm	76.3	JIS G 5101- SC 42	
7	450 mm	102	JIS G 5101- SC 42	
8	500 mm	115	JIS G 5101- SC 42	



## II. OUR MAIN PRODUCTS

### 2.12.1 Closed chocks

Vinmex manufactures Closed chocks according to JIS standard



#### Product specification

No.	Nominal size (mm)	Calculated mass (kg)	Standard/ Material	Remark
1	100 mm	3.7	JIS G 5101- SC 42	
2	150 mm	10.5	JIS G 5101- SC 42	
3	200 mm	24	JIS G 5101- SC 42	
4	250 mm	48	JIS G 5101- SC 42	
5	300 mm	83	JIS G 5101- SC 42	
6	350 mm	103	JIS G 5101- SC 42	
7	400 mm	136	JIS G 5101- SC 42	
8	450 mm	184	JIS G 5101- SC 42	
9	500 mm	232	JIS G 5101- SC 42	



## III. CERTIFICATES



## III. CERTIFICATES



**IV. SERICE CONTACT**

**Head Office/ Factory**

Kien Phong, Dong Thai, An Duong, Hai Phong, Viet Nam

**Mr. Dinh Nhu Thanh**

*Deputy General Manager*

Email: tech@vinmex.vn / vinmex.thanhhdn@gmail.com

Hotline: +84 936 699286 / +84 931 504688

Tel.: +84 2256622 929

Website: [www.vinmex.vn](http://www.vinmex.vn)

**Mr. Linh Le**

*General Manager Assistant*

Email:sale@vinmex.vn

Hotline: +84 934 245 202

**Mr. Mike Hoang**

*General Manager Assistant*

Email:sales6@vinmex.vn

Hotline: +84 988 591 680

**Ace Ocean Engineering Pty Ltd (VINMEX Australia office)**

*MRINA Engineer*

*Business Development Manager (Australia)*

| O 5/7 Kintail Rd, Applecross WA Australia | M +61 (0) 425 318

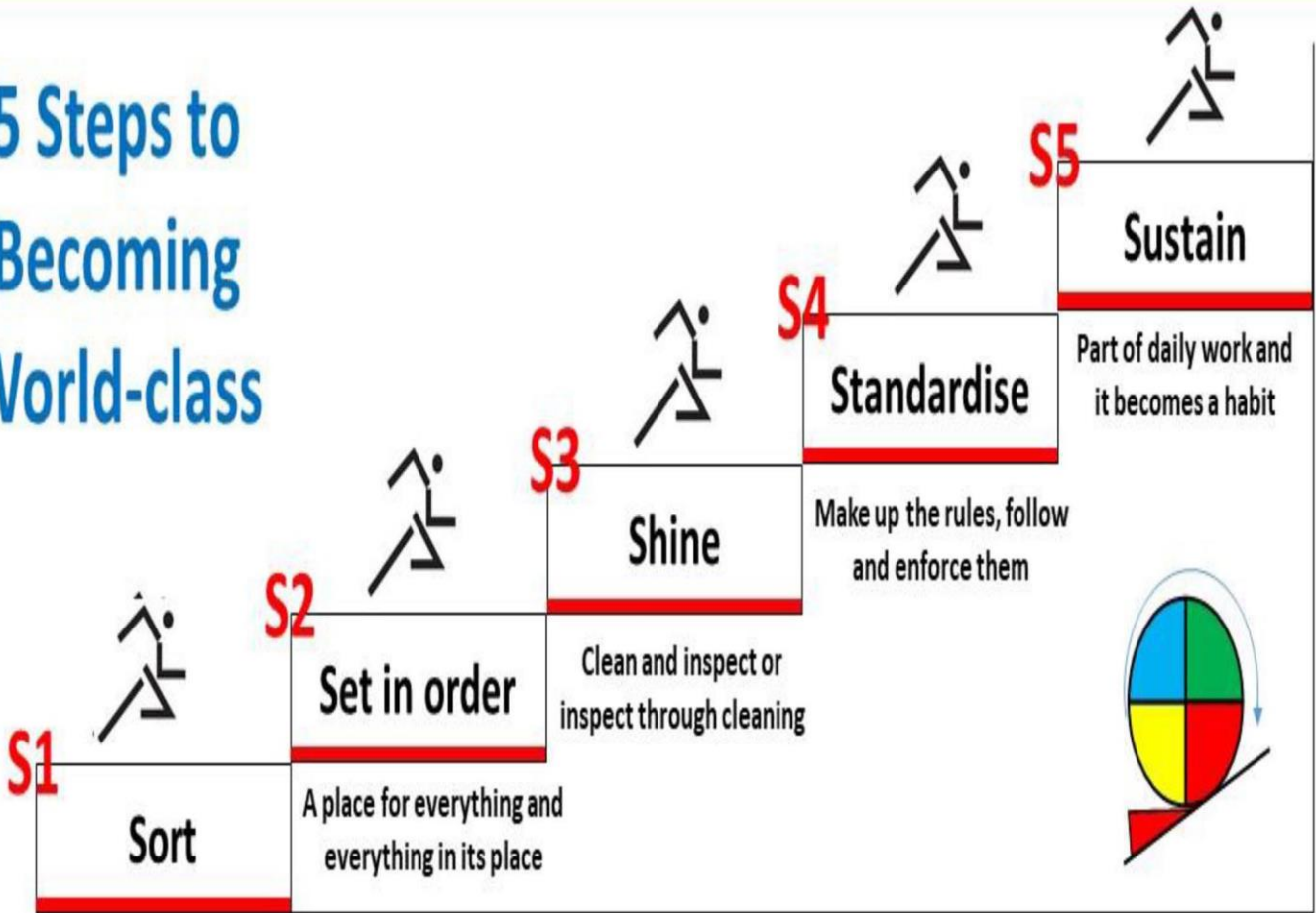
397 | D +61 (0)8 9310 4820 | E ace.ocenengineering@gmail.com |



# 5S

# **SORT- SET IN ORDER- SHINE STANDARDISE- SUSTAIN**

## 5 Steps to Becoming World-class



When in doubt, move it out – Red Tag technique

*Marine Development- Our Future*